

# thermal printer for panel

## ST021 series

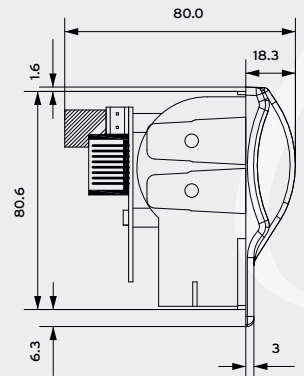
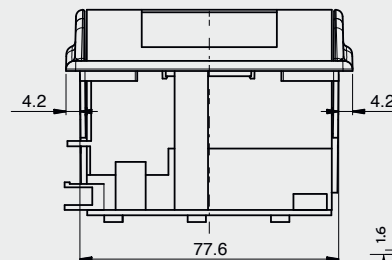
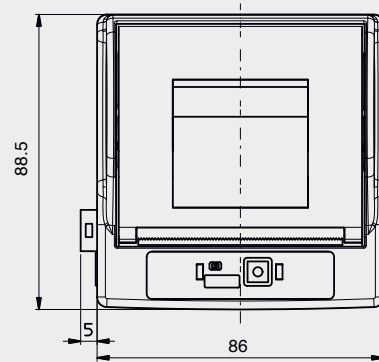
Material: ABS frame

Frame colours: black, grey

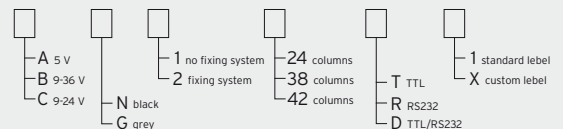
Compact panel printer for applications in control systems with an essential and attractive design. Easy and fast change of the paper thanks to the door's structure. Predisposition for a fast fixing with brackets code ST010-N.



Features	series ST 021
Columns	24 - 38 - 42
Character (LxH mm)	1,25x1,75 - 1,12x1,5 - 1x1,5
Character array	10x14 - 9x12 - 8x12
Graphic point	8 dot/mm
Point per line	384
Print speed (cm/sec)	22
Lines/second	3,6
Printing method	thermal fixed print-head
Printing formats	normal, double height, double width, expanded, reverse
Character set	2 font inside (european and cyrillic) other on demand
Paper width	58 mm (Ø 50 mm max)
Baud rate	1200 - 2400 - 4800 - 9600 - 14400 - 19200 28800 - 38400 - 57600 - 115200 bps
Buffer	1 KB
Flash memory	on demand for custom logs
Interface	Serial: TTL, RS232
Protocols	Hardware (RTS CTS) - Xon/Xoff
Power	5 Vdc 5% - 9-36 Vdc 5% - 9-24 Vdc 5%
Operating temperature (°C)	- 10 ÷ + 50
Absorption (average)	2,5A a 5V - 0,8A a 36V
MTBF (mechanics)	50 Km
Dimensions	86x88,5x80
Weight	135 gr - 143 gr
Note	The hole in the panel for the housing of the printer has to have 78x81 mm dimensions (LxH).



ST021



Overall dimension are in millimeters. On demand detailed drawings will be provided.

[www.elfaelettronica.it](http://www.elfaelettronica.it)    [info@elfaelettronica.it](mailto:info@elfaelettronica.it)

EL.FA s.r.l. - via proventa, 152/9 - 48018 faenza (ra)  
tel. 0039.0546.46996 - fax 0039.0546.46997

EL.FA s.r.l. reserves the right to make changes at any time without notice to the products described in this sheet. This is not contractually binding.  
Published in December 2012/eng.

