

resettable blade fuse series FAOXX

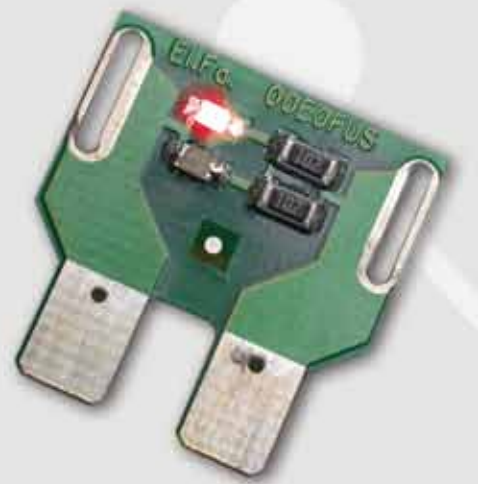
The FAOxx series resettable fuses are similar in size to the "standard" blade-fuses of 19 mm.

This type of fuse opens the circuit when the trip current exceeds a certain level, but when the current decreases and the fault current is removed, the fuse is "reset" and works again.

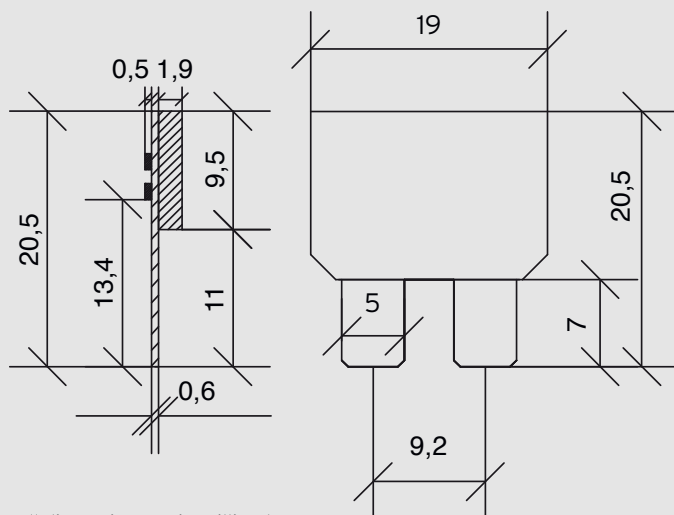
The basic version of the fuse is without the trip signal led, which the "L" versions have.

There are two leds, in order to allow the alarm signal, regardless of the polarization.

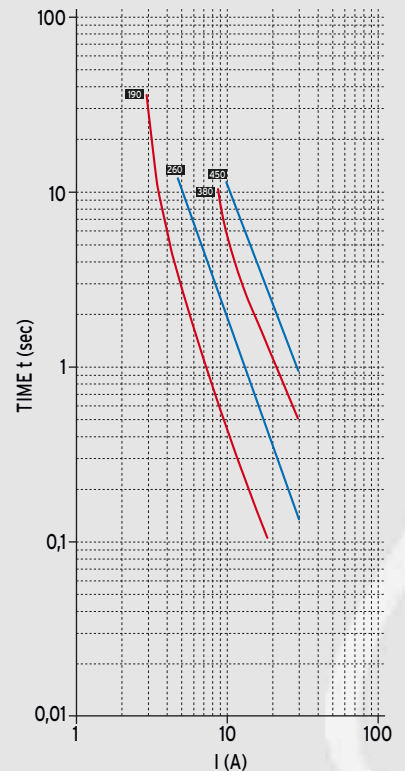
In case of recurring breakages, the fuse allows to avoid the frequent change of traditional ones, with others of higher value.



Packaging: 10 pcs.

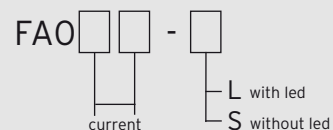


Overall dimension are in millimeters.
On demand detailed drawings will be provided.



Features fuses

Code	"A" rated	"V" max
FA019	1,9 A	15v dc
FA041	4,1 A	15v dc
FA038	3,8 A	15v dc
FA045	4,5 A	20v dc
FA060	6A	20v dc



www.elfaelettronica.it info@elfaelettronica.it

EL.FA s.r.l. - via proventa, 152/9 - 48018 faenza (ra)
tel. 0039.0546.46996 - fax 0039.0546.46997

EL.FA s.r.l. reserves the right to make changes at any time without notice to the products described in this sheet. This is not contractually binding.
Published in January 2014/eng.

