

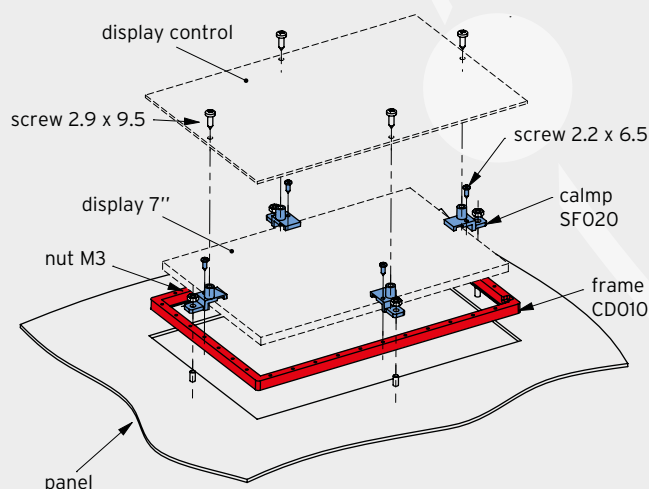
# 7" display frame fixing

## CD010

**Material:** glass-filled nylon

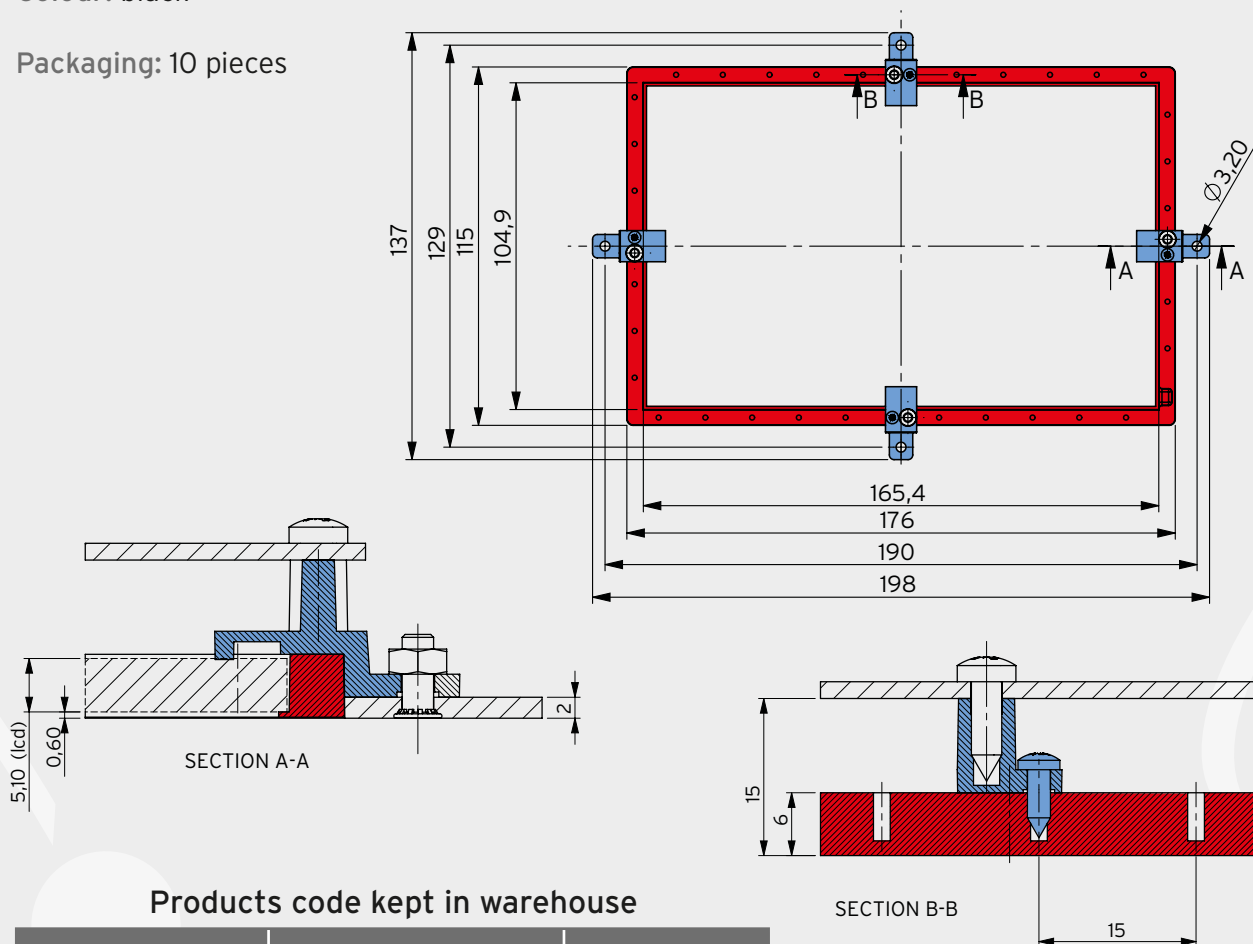
The CD010 frame thanks to the clamp SF020, allows to fix quickly and easily 7" display to a front panel, such as the following display items: Ampire AM800480ST, Data Image FG0700K5, Winstar WF7AT, OSD OSD070T0.

You can insert the SF020 clamp in a large number of positions and use it also to fix an electronic board for display control, reducing dimensions, time of assembly and costs.



**Colour:** black

**Packaging:** 10 pieces



Products code kept in warehouse

Code	Colour	Material
CD010-N	black	nylon

Overall dimension are in millimeters. On demand detailed drawings will be provided.

[www.elfaelettronica.it](http://www.elfaelettronica.it)    [info@elfaelettronica.it](mailto:info@elfaelettronica.it)

EL.FA s.r.l. - via proventa, 152/9 - 48018 faenza (ra)  
tel. 0039.0546.46996 - fax 0039.0546.46997

EL.FA s.r.l. reserves the right to make changes at any time without notice to the products described in this sheet. This is not contractually binding.  
Published in April 2012/eng.



# clamp to fix frame CD010

## SF020

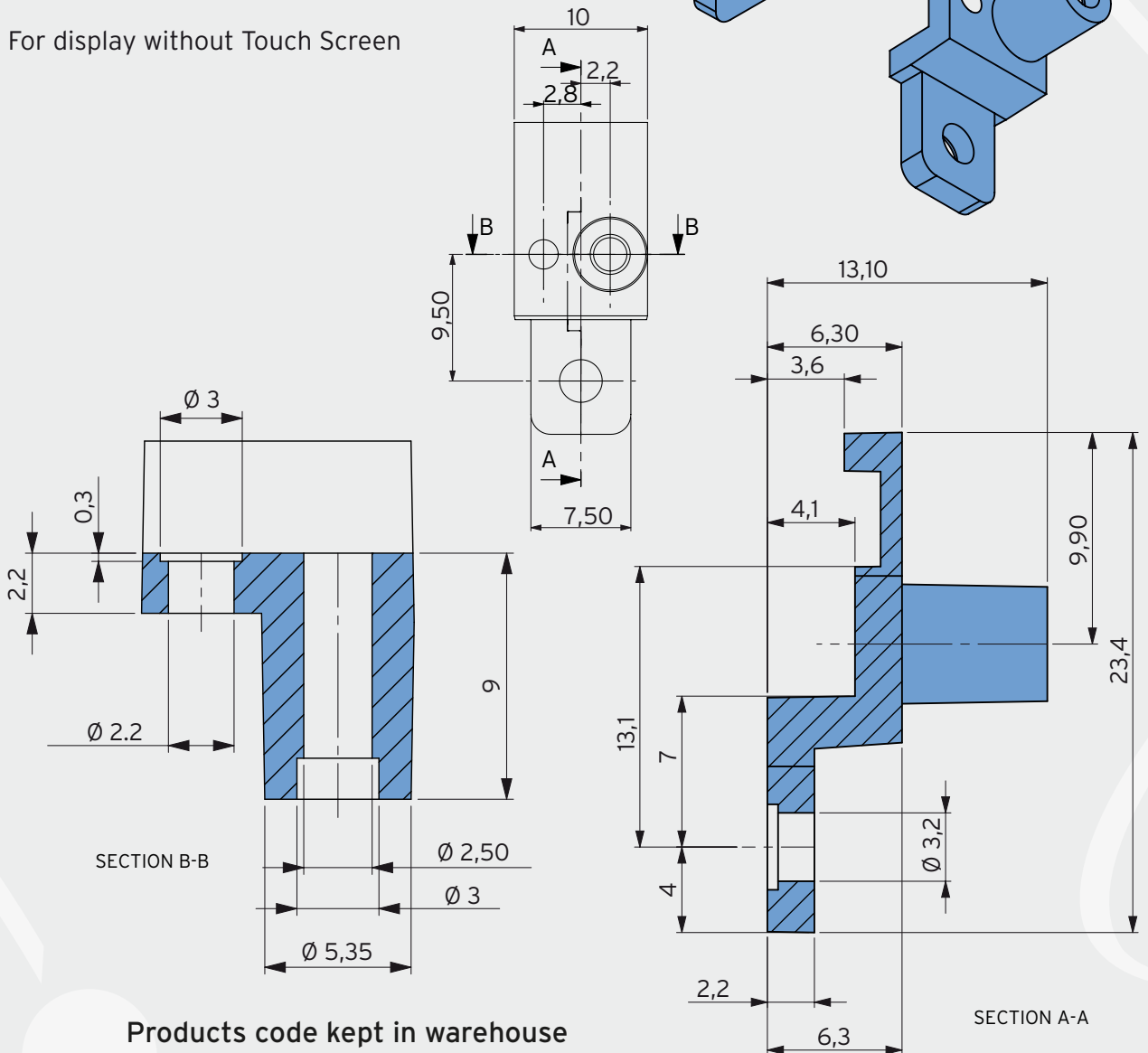
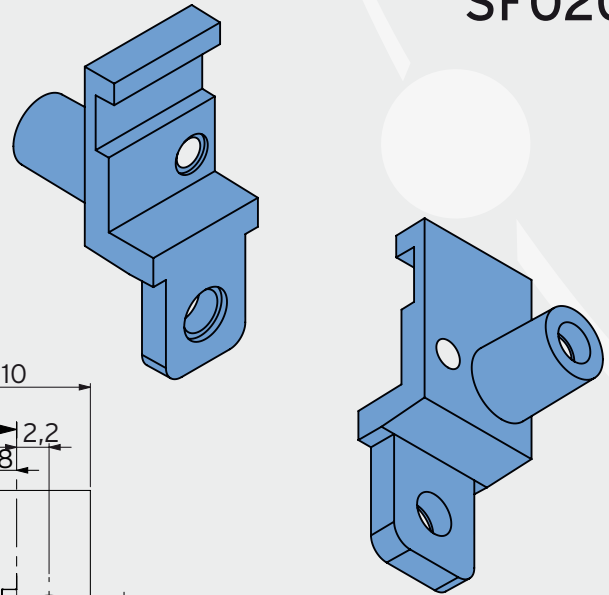
Material: glass-filled nylon

Clamp with screw

Colour: black

Packaging: 100 pieces

For display without Touch Screen



Products code kept in warehouse

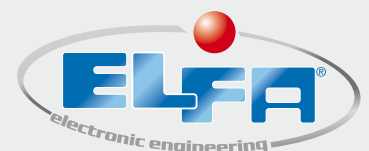
Code	Colour	Material
SF020-N	black	nylon

Overall dimension are in millimeters. On demand detailed drawings will be provided.

[www.elfaelettronica.it](http://www.elfaelettronica.it)    [info@elfaelettronica.it](mailto:info@elfaelettronica.it)

EL.FA s.r.l. - via proventa, 152/9 - 48018 faenza (ra)  
tel. 0039.0546.46996 - fax 0039.0546.46997

EL.FA s.r.l. reserves the right to make changes at any time without notice to the products described in this sheet. This is not contractually binding.  
Published in May 2014/eng.



# clamp to fix frame CD010

## SF030

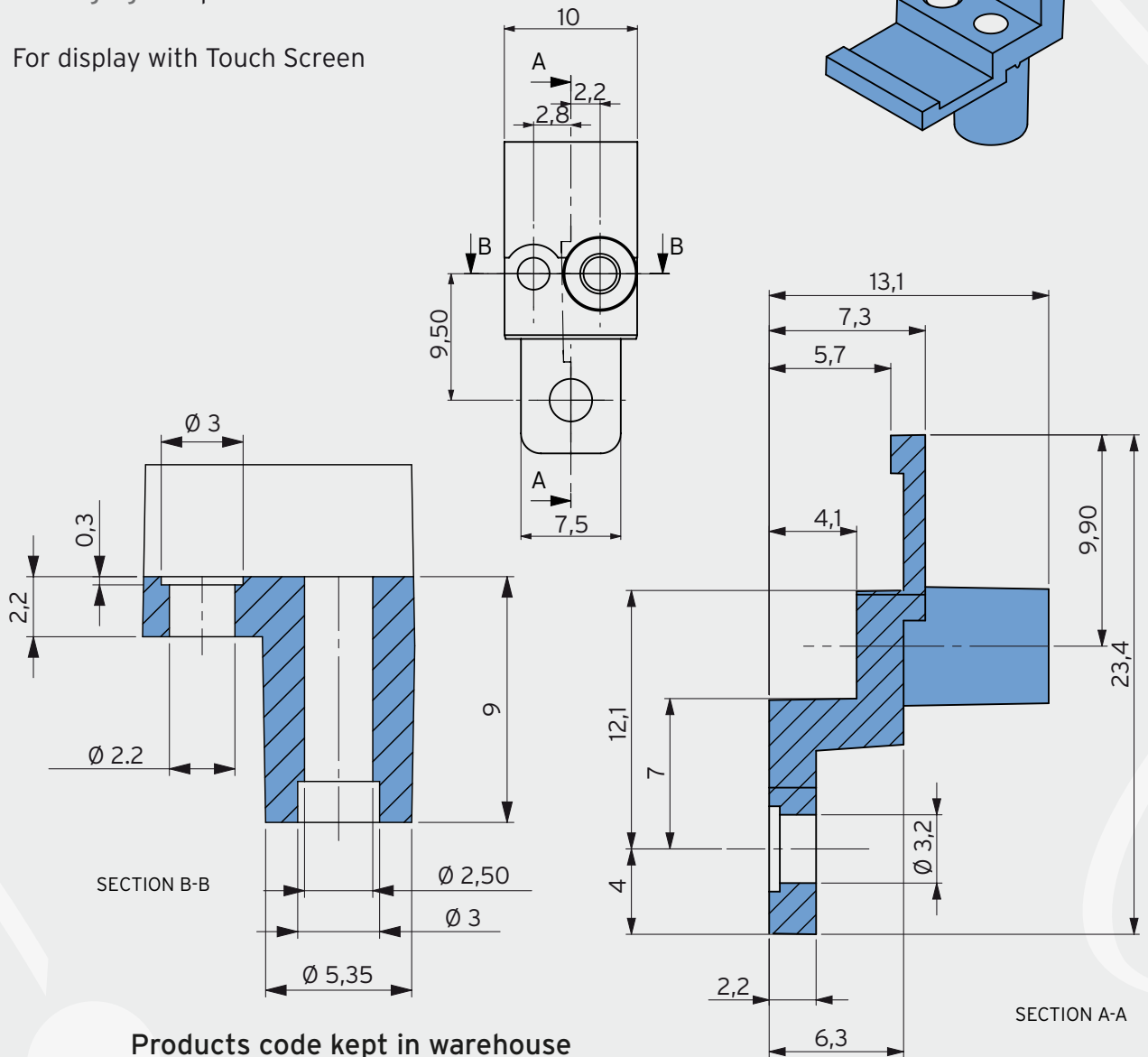
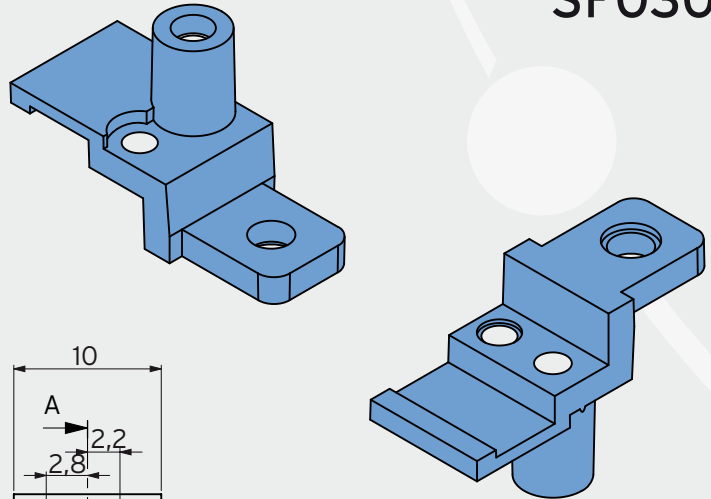
Material: ABS

Clamp with screw

Colour: black

Packaging: 100 pieces

For display with Touch Screen



Products code kept in warehouse

Code	Colour	Material
SF030-N	black	ABS

Overall dimension are in millimeters. On demand detailed drawings will be provided.

[www.elfaelettronica.it](http://www.elfaelettronica.it) [info@elfaelettronica.it](mailto:info@elfaelettronica.it)

EL.FA s.r.l. - via proventa, 152/9 - 48018 faenza (ra)  
tel. 0039.0546.46996 - fax 0039.0546.46997

EL.FA s.r.l. reserves the right to make changes at any time without notice to the products described in this sheet. This is not contractually binding.  
Published in May 2014/eng.

